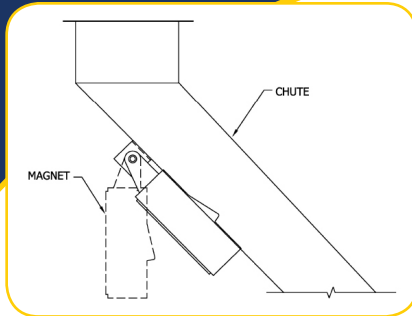
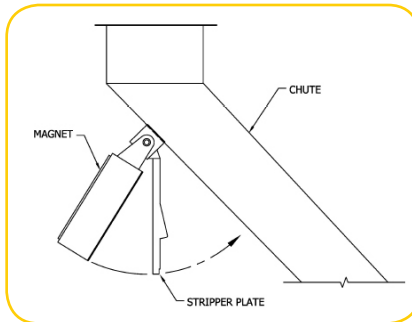


Permanent Magnetic Plate Separators (MPS)



Hinged plate separator for cleaning access



Manual self clean Plate separator c/w hinge and stripper plate for easy cleaning

The IMT Magnetic Plate Separator (MPS) provides a dependable, means of tramp metal extraction in chute applications. The permanent magnetic forces protect your capital equipment by providing continuous and effective removal of unwanted tramp metal. The MPS will increase uptime, reduce maintenance costs and provide a metal free product. IMT offers the MPS in various sizes and configurations to meet the specific application; maximizing the separators performance.

Permanent Magnetic Power

- Power failures or fluctuation will not effect the separators performance
- Guaranteed magnetic strength for the life of the application
- No power consumption

Simple Installation

- Permanent Magnetic Plate separators are easily retrofitted into existing chute and hoppers
- Powerful rare earth models custom manufactured to replace existing under-performing magnets
- Available in a wide range of sizes and options
- No electrical hook up

No Maintenance

- No moving parts

Available in ceramic (ferrite) or rare earth models.



IMT

Innovative Magnetic Technologies Inc.

#1 3308 Appaloosa Rd.
Kelowna, BC Canada
V1V 2W5
Phone: 250-491-5806
Fax: 778-753-6234
www.imt-inc.com
e-mail: info@imt-inc.com



INDUSTRIAL MAGNETIC SOLUTIONS

Manufacturers of Permanent Magnetic Head pulleys, Cross Belt Separators, Suspended Plate Magnets, Chute Separators, Magnetic Drums and Vertical Magnetic Conveyors