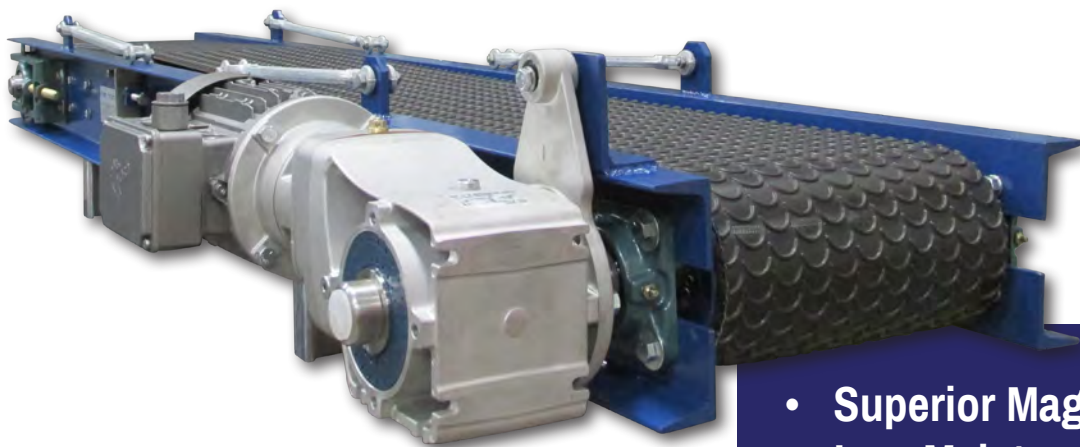




G5 CROSS BELT SEPARATORS



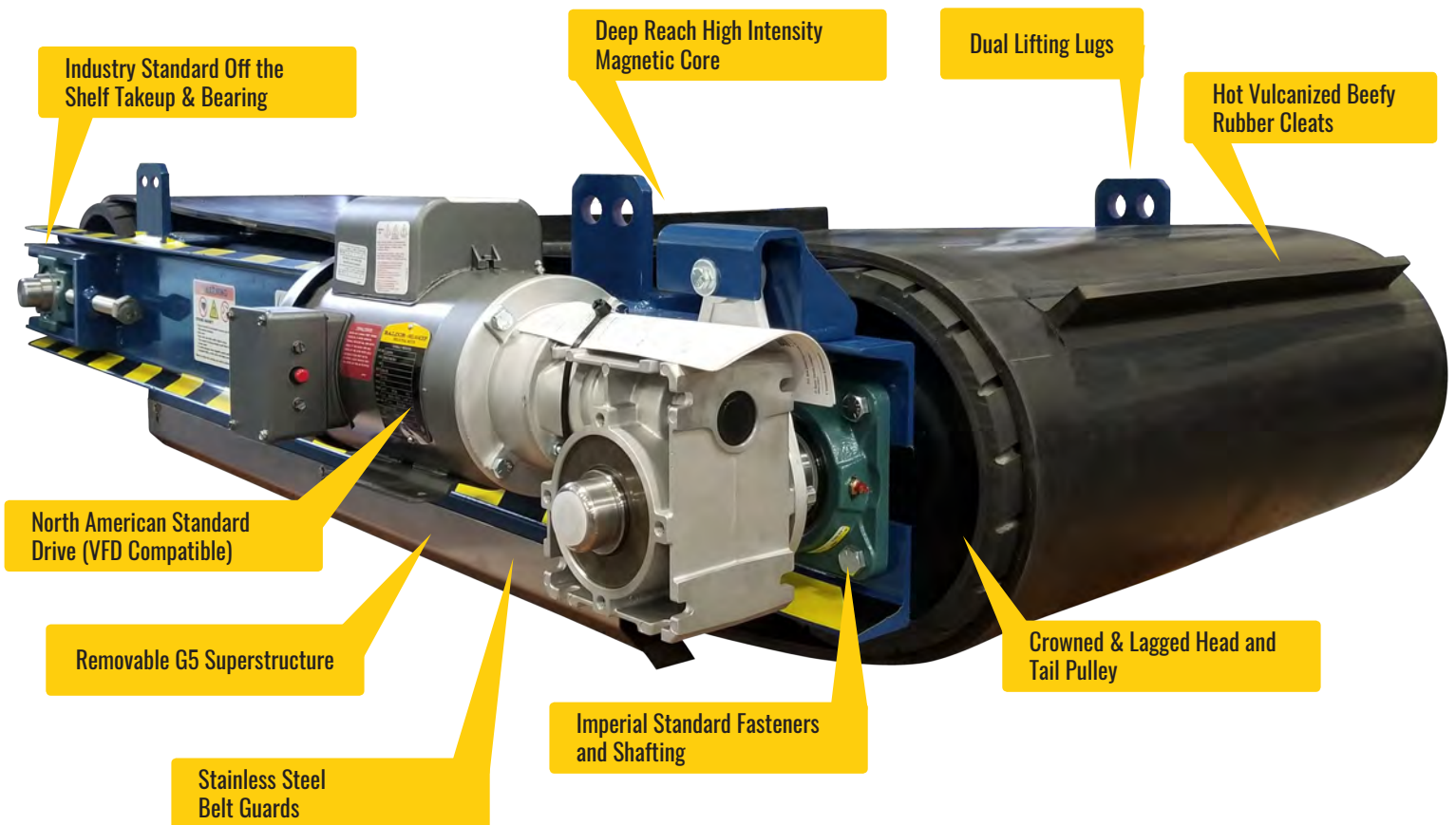
MAGNETIC SEPARATION SOLUTIONS FOR CONVEYORS



- Superior Magnetic Strength
- Low Maintenance
- Custom Sizes Available
- Flexible Installation Options
- In-stock Inventory

G5 SUSPENDED CROSS BELT PERMANENT MAGNETIC SEPARATORS

The IMT G5 Cross Belt Permanent Magnetic Separator is used in the magnetic extraction of ferrous materials from products to ensure a safe, metal free output. These powerful magnets draw the unwanted metals upwards and away while continually discharging the target tramp from the conveyor belt.



DRIVE CONFIGURATION

Shaft Mounted Helical Worm Gear Reducer

Standard 2HP Right Angle Motor

- 3 Phase 480/60Hz
- 3 Phase 575/60Hz
- Other Voltages upon request

Hydraulic Drive available

OPTIONAL EQUIPMENT

- Zero Speed Sensor
- Misalignment Sensor/Switch

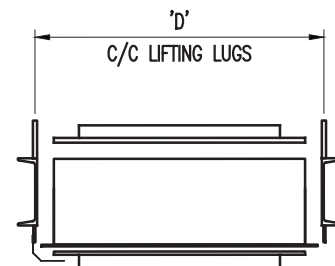
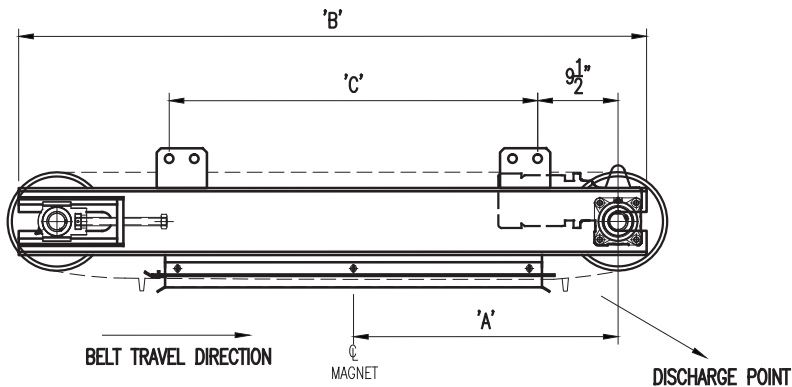


G5 CROSS BELT SEPARATORS



G5 SIDE VIEW

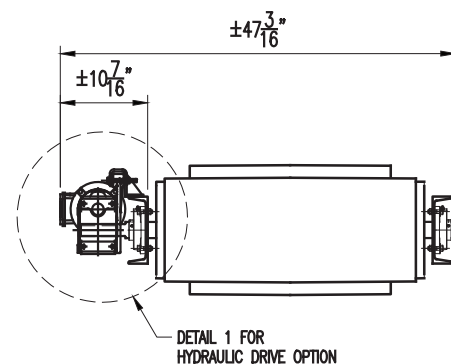
SECTION AT LIFTING LUGS



G5 CBS SERIES DIMENSIONS

BELT WIDTH	MODEL	A	B	C	D	WEIGHT (LBS)
24	CBS-2433	19.5	51	20	35	1950
36	CBS-3633	25.5	63	32	35	2700
42	CBS-4233	28.5	69	38	35	3060
48	CBS-4833	31.5	75	44	35	3420
54	CBS-5433	34.5	81	50	35	3750
60	CBS-6033	37.5	87	56	35	4165
72	CBS-7233	43.5	99	68	35	4795

DRIVE END VIEW



QUALITY AT THE CORE™

WWW.IMT-INC.COM

APPLICATION WORKSHEET

Fill in application details below and submit via Email: sales@imt-inc.com or Fax: (778) 753-6234

Company: _____
Contact: _____ Address: _____
Phone: _____ City: _____ State/Prov: _____
Email: _____ Postal: _____ Country: _____

<input type="checkbox"/> Suspended Plate Magnet	<input type="checkbox"/> Electromagnet	<input type="checkbox"/> VIBRA-SEP
<input type="checkbox"/> Cross Belt Separator	<input type="checkbox"/> Magnetic Plate Separator	<input type="checkbox"/> Grate Magnet
<input type="checkbox"/> Magnetic Head Pulley	<input type="checkbox"/> Drum Separator	<input type="checkbox"/> Unknown

APPLICATION INFORMATION

Type of Material: _____ Bulk Density: _____
Particle Size Range: _____ Product Temp: _____
Max Lump Size: _____ % Moisture: _____
Ferrous Size Range: _____ Burden Depth: _____

CONVEYOR INFORMATION

Flat Belt Troughed Belt Conveyor Incline: _____ Ambient Temp: _____
Chute Vibratory Belt Width: _____ Head Pulley Dia: _____
Other (Please Specify): _____ Belt Thickness: _____ % Moisture: _____
Belt Speed: _____ Plant Voltage: _____

NOTES:



INNOVATIVE MAGNETIC TECHNOLOGIES INC.

Head Office: #1 3308 Appaloosa Road Kelowna, BC V1V 2W5 Canada
Telephone: (250) 491-5806 Toll Free: (888) 991-5806 Fax: (778) 753-6234
Website: www.imt-inc.com Email: sales@imt-inc.com



Quality at the Core™