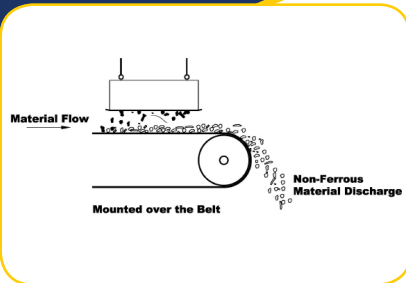


Suspended Permanent Magnetic Separators (SPM)



Innovative Magnetic Technologies Inc. designed and manufactured Suspended Plate Magnets (SPM) provide industry with economical and dependable magnetic protection for process equipment. The permanent magnetic forces provide continuous and effective removal of unwanted tramp metal. The SPM will increase uptime, reduce maintenance costs and provide a metal free product.

Permanent Magnetic Power

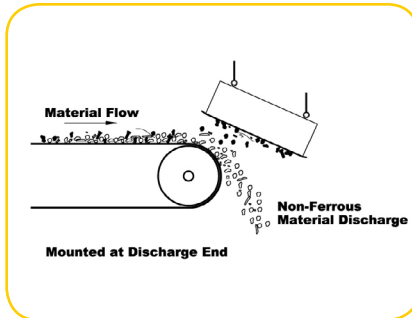
- Power failures or fluctuation will not affect the separators performance
- Guaranteed magnetic strength for the life of the application
- No power consumption

Simple Installation

- Installed above product flow or at discharge
- No electrical hook up

No Maintenance

- No moving parts
- Simple to clean



IMT offers the SPM in a wide variety of sizes and configurations for maximum performance

Available in ceramic (ferrite) or rare earth models.

Self cleaning models available.



IMT

Innovative Magnetic
Technologies Inc.

#1 3308 Appaloosa Rd.
Kelowna, BC Canada
V1V 2W5
Phone: 250-491-5806
Fax: 778-753-6234
www.imt-inc.com
e-mail: info@imt-inc.com



INDUSTRIAL MAGNETIC SOLUTIONS

Manufacturers of Permanent Magnetic Head pulleys, Cross Belt Separators, Suspended Plate Magnets, Chute Separators, Magnetic Drums and Vertical Magnetic Conveyors